

标准对照表

CHECK LIST OF STANDARD

本公司企业标准		JIS(日本标准)		DIN(德国标准)		BG(国标)	AWG (美国线规)
接线规格(平方)	接线范围(mm ²)	接线规格(平方)	接线范围(mm ²)	接线规格(平方)	接线范围(mm ²)	BG.WE	
1.25	0.25-1.63	1.25	0.25-1.63	1	0.5-1	0.5-1.5	22-16
2	1.04-2.63	2	1.04-2.63	2.5	>1-2.5	2.5	16-14
3.5	2.63-4.60					4	12-10
5.5	2.63-6.64	5.5	2.63-6.64	6	>2.5-6	6	12-10
8	6.64-10.52	8	6.64-10.52	10	>6-16	10	8
14	10.52-16.78	14	10.52-16.78	16	>10-25	16	6
22	16.78-26.66	22	16.78-26.66	25	>25-35	25	4
38	26.66-42.42	38	26.66-42.42	38	>25-50	35	2
50	38.5-59.7			50	>35-70	50	1
60	42.42-60.57	60	42.42-60.57			60	0
70	60.57-76.28			70	>50-95	70	00
80	76.28-96.3	80	76.28-96.3	95	>70-120	95	000
100	96.3-117.20	100	96.3-117.20	120	>95-150	120	000
150	117.2-152.05	150	117.2-152.05	150	>120-185	150	250-300MCM
185	152.05-192.6			185	>159-240	185	300-350MCM
200	192.6-242.27	200	192.6-242.27	240	>185-300	240	400MCM
325	242.27-325.0	325	242.7-325.0			300	500-600MCM

螺栓尺寸、孔径及导线截面积对照表

导线线径、线规对照表

Stud Sizes			Hole Dia.		Conductor Sizes				
American in.	Metric	mm	In	mm	AWG	Area		Dia.	
						mm ²	CMA	mm ²	In
#0	.060				26	.128	252	.404	.0159
#1	.073	2	.087	2.2	25	.161	320	.454	.0179
#2	.086	2.6			24	.205	404	.511	.0201
#3	.099		.126	3.2	23	.259	511	.574	.0226
#4	.112	3			22	.234	640	.643	.0253
#5	.125		.146	3.7	21	.412	812	.724	.0285
#6	.138	3.5			20	.510	1.020	.813	.0320
#8	.164	4	.169	4.3	19	.653	1.290	.912	.0359
#10	.190	5	.209	5.3	18	.823	1.620	1.02	.0453
#12	.216	6			17	1.04	2.050	1.15	.045
#14	.242		.252	6.4	16	1.31	2.580	1.29	.051
1/4	.250				15	1.65	3.260	1.45	.057
5/16	.312	8	21/64	8.4	14	2.08	4.110	1.63	.064
3/8	.375	9	12/32	9.8	13	2.63	5.180	1.83	.072
		10	13/32	10.5	12	3.31	6.530	2.05	.080
				11.5	11	4.17	8.230	2.30	.091
7/16	.437	10	29/64		10	5.26	10.400	2.59	.102
1/2	.500	12	33/64	13.0	9	6.63	13.100	2.91	.114
					8	8.37	16.500	3.26	.129
					7	10.6	20.800	3.66	.144
					6	13.3	26.200	4.12	.162
5/8	.625	16	21/32	17.0	5	16.4	33.100	4.62	.182
					4	21.2	47.700	5.19	.204
					3	26.7	52.600	5.82	.229
					2	33.6	66.300	6.54	.258
					1	42.4	83.700	7.35	.289
					1/10	55.5	109.600	8.40	.331
					2/0	67.4	133.000	9.26	.365
					3/0	85.01	168.000	10.4	.410
					4/0	107.2	212.000	11.68	.460
					250 MCM	126.6	250 MCM	12.70	.500
					300 MCM	152.1	300 MCM	13.92	.548
					350 MCM	177.6	350 MCM	15.04	.592
					400 MCM	202.2	400 MCM	16.05	.632
					450 MCM	227.93	450 MCM	17.04	.671
3/4	.750	19	51/64	20.0	500 MCM	252.9	500 MCM	17.95	.707
		20	53/64	21.0	550 MCM	278.9	550 MCM	18.85	.742
					600 MCM	304.3	600 MCM	19.69	.775
					650 MCM	328.9	650 MCM	20.47	.806
7/8	0.875	22	29/32	23.0					
	1.000	26	1-1/32						

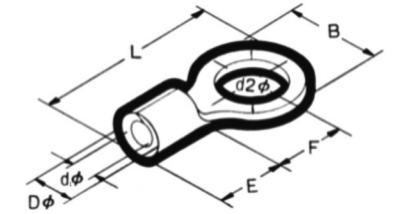
REFERENCE DATA

NON INSULATED RING TERMINALS 圆形裸端子

Material 材料: Electronic Copper 电子铜

Tin Plated 镀锡

Soldered barrel 接缝银焊



TYPE 型号	WIRE RANGE 线规		ΦD	Φd1	E	F	B	Φd2	L	MAX.CURRENT 最大电流A
	AWG/MCM	mm ²								
R 1.25-3S						4.3	5.5	3.2	11.5	19
R 1.25-3						4.3	5.5	3.7	11.5	
R 1.25-3M						6.6	6.6	3.7	14.4	
R 1.25-3MI						6.6	6.6	3.2	14.4	
R 1.24-4						7.3	8.0	4.3	15.8	
R 1.25-4M						6.6	6.6	4.3	14.4	
R 1.25-5						7.3	8.0	5.3	15.8	
R 1.25-6						11.4	11.6	6.4	21.7	
R 1.25-8						11.4	11.6	8.4	21.7	
R 2-3						7.8	8.5	3.2	15.8	
R 2-3M						63.0	6.6	3.7	14.4	
R 2-4						7.8	8.5	4.3	16.8	
R 2-4M						6.3	6.6	4.3	14.4	
R 2-5						7.3	9.5	5.3	16.8	
R 2-6						11.0	12.0	6.4	21.8	
R 2-8						11.0	12.0	8.4	21.8	
R 3.5-4						8.2	9.5	4.3	20.0	
R 3.5-5						8.2	9.5	5.3	20.0	
R 3.5-6						8.5	12.0	6.4	21.4	
R 5.5-3						8.3	9.5	3.7	19.8	
R 5.5-4						8.3	9.5	4.3	19.8	
R 5.5-5						8.3	9.5	5.3	19.8	
R 5.5-6						13.0	12.0	6.4	25.8	
R 5.5-8						13.7	15.0	8.4	28.0	
R 5.5-10						13.7	15.0	10.5	28.0	
R 8-4						9.3	12.0	4.3	23.8	
R 8-5						9.3	12.0	5.3	23.8	
R 8-6						9.3	12.0	6.4	23.8	
R 8-8						13.8	15.0	8.4	29.8	
R 8-10						13.8	15.0	8.4	29.8	
R 8-12						15.0	20.0	13.0	33.5	
R 14-5						11.5	12.0	5.3	27.5	
R 14-6						11.5	12.0	6.4	27.5	
R 14-8						14.5	16.0	8.4	32.5	
R 14-10						14.5	16.0	10.5	32.5	
R 14-12						9.8	22.0	13.0	40.8	
R 22-5						13.5	16.5	5.3	33.7	
R 22-6						13.5	16.5	6.4	33.7	
R 22-6S						15.6	12.2	6.4	33.7	
R 22-8						13.5	16.5	8.4	33.7	
R 22-8.2						13.5	16.5	8.4	33.7	
R 22-10						16.0	16.5	10.5	36.7	
R 22-12						19.5	22.0	13.0	42.5	

TYPE 型号	WIRE RANGE 线规		ΦD	Φd1	E	F	B	Φd2	L	MAX.CURRENT 最大电流A						
	AWG/MCM	mm ²														
R 38-6	2	22.66-42.42	13.4	9.4	14.0	16.0	22.0	6.4	41.0	160						
R 38-6S						17.4	15.0	6.4	38.7							
R 38-8						16.0	22.0	6.4	41.0							
R 38-8S						17.4	15.0	6.4	38.7							
R 38-10						18.0	22.0	10.5	43.0							
R 38-12						18.0	22.0	13.0	43.0							
R 60-6	0	42.42-60.57	15.4	11.4	18.0	18.0	22.0	6.4	47.0	215						
R 60-8						18.0	22.0	8.4	47.0							
R 60-10						18.0	22.0	10.5	47.0							
R 60-12						20.0	22.0	13.0	49.0							
R 60-14						20.0	32.0	15.0	54.0							
R 60-16						20.0	32.0	17.0	54.0							
R 60-18	20.0	32.0	19.0	54.0												
R 70-6	2/0	60.57-76.28	17.5	13.5	19.0	18.0	27.0	6.4	50.5	235						
R 70-8						18.0	27.0	8.4	50.5							
R 70-10						18.0	27.0	10.5	50.5							
R 70-12						20.0	27.0	13.0	52.5							
R 70-14						20.0	22.0	15.0	55.0							
R 70-16						20.0	22.0	17.0	55.0							
R 70-18	20.0	22.0	19.0	55.0												
R 80-8	3/0	76.28-96.3	19.5	14.5	20.0	19.0	27.0	8.4	52.5	255						
R 80-10						19.0	27.0	10.5	52.5							
R 80-12						19.0	27.0	13.0	52.5							
R 80-14						22.0	32.0	15.0	58.0							
R 80-16						22.0	32.0	17.0	58.0							
R 80-18						22.0	32.0	19.0	58.0							
R 80-20	22.0	32.0	21.0	58.0												
R 100-10	4/0	96.3-113.04	22.4	16.4	21.0	20.0	28.5	10.5	55.3	300						
R 100-12						20.0	28.5	13.5	55.3							
R 100-14						32.0	32.0	15.0	69.0							
R 100-16						32.0	32.0	17.0	69.0							
R 100-18						32.0	32.0	19.0	69.0							
R 100-20						32.0	32.0	21.0	69.0							
R 100-22	32.0	32.0	23.0	69.0												
R 125-10	4/0	113.04-117.2	24.0	18.0	24.0	22.0	32.0	10.5	62.0	350						
R 125-12						22.0	32.0	13.0	62.0							
R 125-16						32.0	32.0	17.0	72.0							
R 125-18						32.0	32.0	19.0	72.0							
R 125-20						32.0	32.0	21.0	72.0							
R 125-22						32.0	32.0	23.0	72.0							
R 150-10	250-300MCM	117.2-152.05	26.5	19.5	27.0	23.0	36.0	10.5	68.0	395						
R 150-12						23.0	36.0	13.0	68.0							
R 150-16						23.0	36.0	17.0	68.0							
R 150-18						36.0	36.0	19.0	81.0							
R 150-20						36.0	36.0	21.0	81.0							
R 150-22						36.0	36.0	25.0	81.0							
R 185-10	300-350MCM	152.05-192.5	28.6	21.0	28.5	24.5	40.0	10.5	73.0	400						
R 185-12						24.5	40.0	13.0	73.0							
R 185-16						24.5	40.0	17.0	73.0							
R 185-20						39.0	40.0	21.0	87.5							
R 200-12						24.5	44.0	13.0	78.0							
R 200-16						24.5	44.0	17.0	78.0							
R 200-20	37.5	44.0	21.0	91.0												
R 200-22	37.5	44.0	23.0	91.0												
R 200-24	37.5	44.0	25.0	91.0												
R 325-12	400MCM	192.5-242.27	32.5	24.0	31.5	33.5	50.5	13.0	94.3	470						
R 325-16						33.5	50.5	17.0	94.3							
R 325-20						45.0	50.5	21.0	105.75							
R 325-24						45.0	50.5	25.0	105.75							
R 325-12						500-600MCM	242.27-325	37.6	28.0		35.5	33.5	50.5	13.0	94.3	650
R 325-16												33.5	50.5	17.0	94.3	
R 325-20	45.0	50.5	21.0	105.75												
R 325-24	45.0	50.5	25.0	105.75												

NON INSULATED SPADE TERMINALS 叉形裸端子

Material 材料: Electronic Copper 电子铜

Tin Plated 镀锡

Soldered barrel 接缝银焊



TYPE 型号	WIRE RANGE 线规		ΦD	Φd1	E	F	B	Φd2	L
	AWG/MCM	mm ²							
S 1.25-3	22-16	0.25-1.65	3.4	1.7	4.5	6.5	5.7	3.2	16
S 1.25-3S						6.5	5.7	3.7	16
S 1.25-3W						6.5	6.2	3.7	16
S 1.25-4S						6.5	6.4	4.3	16
S 1.25-4W						6.5	7.2	4.3	16
S 1.25-5						6.5	8	5.3	16
S 2-3	16-14	1.04-2.63	4	2.3	4.5	6.5	5.7	3.2	16
S 2-3S						6.5	5.7	3.7	16
S 2-3W						6.5	6.2	3.7	16
S 2-4S						6.5	6.4	4.3	16
S 2-4W						6.5	7.2	4.3	16
S 2-5						6.5	8	5.3	16
S 2-6	9	10.7	6.4	20.1					
S 3.5-4	12-10	2.63-4.6	5	3	6.3	6.9	8	4.3	18
S 3.5-5						8	8	5.3	18
S 5.5-3	12-10	2.63-6.64	5.6	3.5	6.5	7.1	7.3	3.2	19.5
S 5.5-3S						7.5	8.2	3.7	19.5
S 5.5-4						7.5	8.2	4.3	19.5
S 5.5-5						8	9	5.3	19.5
S 5.5-6						12	12	6.4	26.2
S 8-6						8	6.64-10.52	7	4.5
S 14-5	6	10.52-16.78	9.3	5.8	10	11	12	5.3	27.5
S 14-6	6	10.52-16.78	9.3	5.8	10	11	12	6.7	27.5
S 22-8	4	16.78-26.66	11.3	7.5	12	13	14	8.4	34

NON INSULATED PIN TERMINALS 针形裸端子

Material 材料: Electronic Copper 电子铜

Soldered barrel 接缝银焊

Tin Plated 镀锡



TYPE 型号	WIRE RANGE 线规		ΦF	L	ΦD	E	MAX.CURRENT 最大电流A	
	AWG/MCM	mm ²						
PIN1.25N	22-16	0.25-1.65	2	16.3	3.4	4.5	19	
PIN1.25-7N								11.5
PIN1.25-9N								13.5
PIN1.25-10N								14.5
PIN1.25-17N								21.5
PIN2N								16.6
PIN2-7N	11.8	16-14	2	20.3	4	4.8	27	
PIN2-9N	13.8							
PIN2-10N	14.8							
PIN2-17N	21.8							
PIN5.5N	12-10	2.63-6.64	2.7	20.3	5.6	6.8	48	

INSULATED RING TERMINALS 圆形预绝缘端子

最大额定电压600V, 工作温度75°C(MAX.ELECTRICAL RATING 600VOLTS75°C)

Material 材料:Electronic Copper 电子铜

绝缘材料: PVC套管(INSULATION MATERIAL: PVC PIPE.)

WITHC TYPE COPPER SLEEVE/带C型的为带防震铜套

Tin Plated 镀锡



TYPE 型号	WIRE RANGE 线规		Φd	H	F	B	Φd2	L	COLOR 颜色	MAX.CURRENT 最大电流A						
	AWG/MCM	mm ²														
VR0.5-3	22-16	0.25-0.75	3.5	8	5.8	5.2	3.2	16.5	RED 红	10						
VR0.5-4					7.7	6.6	4.3	20								
VR0.5-5					7.0	8.0	5.3	20								
VR1.25-3S	22-16	0.75-1.65	4	10.7	4.3	5.5	3.2	18								
VR1.25-3					4.3	5.5	3.7	18								
VR1.25-3MI					6.6	6.6	3.2	20.9								
VR1.25-3M					6.6	6.6	3.7	20.9								
VR1.25-4					7.3	8.0	4.3	22.3								
VR1.25-4M					6.6	6.6	4.3	20.9								
VR1.25-5					7.3	8.0	5.3	22.3								
VR1.25-6					11.4	11.6	6.4	28.2								
VR1.25-8					11.4	11.6	8.4	28.2								
VR1.25-10					13.9	13.6	10.5	31.5								
VR2-3	16-14	1.04-2.63	4.5	10.7	7.8	8.5	3.2	23	BULE 蓝	27						
VR2-3M					6.3	6.6	3.7	20.6								
VR2-4					7.8	8.5	4.3	23								
VR2-4M					6.3	6.6	4.3	20.6								
VR2-5					7.3	9.5	5.3	23								
VR2-6					11.0	12.0	6.4	28								
VR2-8					11.0	12.0	8.4	28								
VR2-10					13.9	13.6	10.5	31.7								
VR3.5-4					12	2.63-4.6	6.3	13.7			8.2	9.5	4.3	26.9	BLACK 黑	37
VR3.5-4M											8.2	8.0	4.3	26.2		
VR3.5-5	8.2	9.5	5.3	26.9												
VR3.5-6	12-10	2.63-6.64	6.3	13.7	8.5	12.0	6.4	28.3	YELLOW 黄	48						
VR5.5-3					8.3	9.5	3.7	26.7								
VR5.5-4					8.3	9.5	4.3	26.7								
VR5.5-5					8.3	9.5	5.3	26.7								
VR5.5-6					10.5	12.0	6.4	32.7								
VR5.8-8					13.7	15.0	8.4	34.9								
VR5.5-10					13.7	15.0	10.5	34.9								
VR5.5-12					13.7	15.0	10.5	34.9								

INSULATED SPADE TERMINALS 叉形预绝缘端子

最大额定电压600V, 工作温度75°C(MAX.ELECTRICAL RATING 600VOLTS75°C)

Material 材料:Electronic Copper 电子铜

绝缘材料: PVC套管(INSULATION MATERIAL: PVC PIPE.)

WITHC TYPE COPPER SLEEVE/带C型的为带防震铜套

Tin Plated 镀锡



TYPE 型号	WIRE RANGE 线规		ΦD	H	F	B	ΦD2	L	COLOR 颜色	MAX.CURRENT 最大电流A						
	AWG/MCM	mm ²														
VS1.25-3	26-22	0.25-1.65	4	10.7	6.5	5.7	3.2	22.5	RED 红	19						
VS1.25-3S					6.5	5.7	3.7	22.5								
VS1.25-3W					6.5	6.2	3.7	22.5								
VS1.25-4S					6.5	6.4	4.3	22.5								
VS1.25-4W					6.5	7.2	4.3	22.5								
VS1.25-5					6.5	8.0	8.0	22.5								
VS1.25-6					9.0	10.0	6.7	26.0								
VS2-3					16-14	1.04-2.63	4.5	10.7			6.5	5.7	3.2	22.5	BULE 蓝	27
VS2-3S											6.5	5.7	3.7	22.5		
VS2-3W											6.5	6.2	3.7	22.5		
VS2-4	6.5	6.4	4.3	22.5												
VS2-4W	6.5	7.2	4.3	22.5												
VS2-5	6.5	8.0	5.3	22.5												
VS2-6	9.0	10.7	6.4	26.6												
VS3.5-4	12	2.63-4.62	6.3	13.7					6.9	8.0	4.3	25.4	BLACK 黑	37		
VS3.5-5									8.0	8.0	5.3	25.4				
VS5.5-3									7.1	7.3	3.2	26.7				
VS5.5-3S	12-10	2.63-6.64	6.3	13.7	7.5	8.2	3.7	26.7	YELLOW 黄	48						
VS5.5-4					7.5	8.2	4.3	26.7								
VS5.5-5					8.0	9.0	5.3	26.7								
VS5.5-6					12.0	12.0	6.4	33.4								

PIN TERMINALS 预绝缘针形端子

绝缘材料: PVC套管(INSULATION MATERIAL: PVC PIPE.)

最大额定电压600V, 工作温度75°C(MAX.ELECTRICAL RATING 600VOLTS75°C)

Tin Plated 镀锡

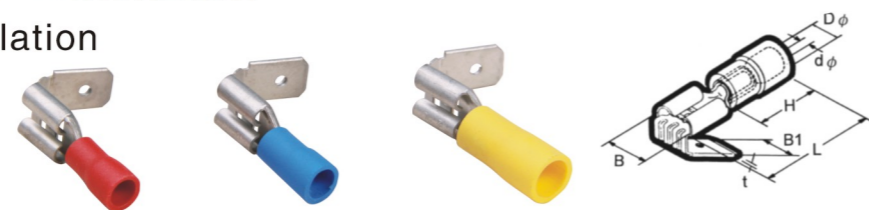


TYPE 型号	WIRE RANGE 线规		ΦF	L	ΦD	H	COLOR 颜色	MAX.CURRENT 最大电流A
	AWG/MCM	mm ²						
PIN1.25	22-16	0.25-1.65	2	22.7	4	10.7	RED 红	19
PIN1.25-7				17.7				
PIN1.25-9				19.7				
PIN1.25-10				20.7				
PIN1.25-17				27.7				
PIN2	16-14	1.04-2.63	2	22.7	4.5	10.7	BULE 蓝	27
PIN2-7				17.7				
PIN2-9				19.7				
PIN2-10				20.7				
PIN2-17				27.7				
PIN5.5	10-14	2.63-6.64	2.7	27.7	6.3	13.7	YELLOW 黄	48

PIGGY BACK CONNECTORS 双头连接件

Brass/tin plated PVC insulation

黄铜/镀锡/PVC预绝缘



TYPE 型号	WIRE RANGE 线规 (mm ²)/A.W.G	B	B1	L	dφ	Dφ	H	t	MAX.CURRENT 最大电流A
MF1.25	0.75-1.25/18-16	6.8	6.3	22	1.8	3.9	10	0.8	10
MF2	1.25-2.0/16-14	6.8	6.3	22	2.3	4.2	10	0.8	15
MF5.5	2.63-6.64/12-10	6.8	6.3	25.2	3.5	5.5	13.5	0.8	24

INSULATED BLADE TERMINALS 预绝缘片形端子

绝缘材料: PVC套管(INSULATION MATERIAL: PVC PIPE.)

最大额定电压600V, 工作温度75°C(MAX.ELECTRICAL RATING 600VOLTS75°C)

Tin Plated 镀锡



TYPE 型号	WIRE RANGE 线规		B	L	T	ΦD	H	COLOR 颜色	MAX.CURRENT 最大电流A
	AWG/MCM	mm ²							
PIN1.25-9F	22-16	0.25-1.65	2.8	19.5	0.8	4	10.7	RED 红	19
PIN1.25-14.5F			3	22.5					
PIN1.25-18F			2.45	28.5					
PIN2-9F	16-14	1.04-2.63	2.8	20	0.8	4.5	10.7	YELLOW 黄	27
PIN2-16F			2.8	27					
PIN2-18F			2.45	29					
PIN5.5-10F	12-10	2.63-6.64	2.8	24	1	6.3	13.7	BLUE 蓝	48
PIN5.5-18F			4.5	32					

FULLY INSULATED FEMALE CONNECTORS 全绝缘片形母端子

WITHC TYPE COPPER SLEEVE/带C型的为带防震铜套

BASSS/黄铜

Tin Plated 镀锡

PVC INSULATION/PVC绝缘



TYPE 型号	WIRE RANGE 线规		B	W	L	Φd	ΦD	G	H	COLOR 颜色	MAX.CURRENT 最大电流A
	AWG/MCM	mm ²									
RF110(5)F	22-16	0.25-1.65	3	5.8	20	1.8	3.5	6.4	10	RED 红	10
RF110(8)F			5	7.8	21.5						
RF187(5)F			6.8	9.6	23.5						
RF187(8)F			3	5.8	20						
RF250F			5	7.8	21.5						
BF110(5)F	16-14	1.04-2.63	3	5.8	20	2.3	4	6.4	10	BLUE 蓝	15
BF110(8)F			5	7.8	21.5						
BF187(5)F			6.8	9.6	23.5						
BF187(8)F			3	5.8	20						
BF250F	5	7.8	21.5								
YF110(5)F	12-10	2.63-6.64	3	5.8	20	3.5	5.4	6.4	11	YELLOW 黄	24
YF110(8)F			5	7.8	21.5						
YF187(5)F			6.8	9.6	23.5						
YF187(8)F			3	5.8	20						
YF250F			5	7.8	21.5						
RF187(5)FC	22-16	0.25-1.65	5	7.6	20	4.7	10.5	10.5	10.5	RED 红	10
RF187(8)FC			6.8	9.6	22						
RF250FC			5	7.6	20.5						
BF187(5)F	16-14	1.04-2.63	5	7.6	20.5	4.9	11	11	11	BLUE 蓝	15
BF187(8)FC			6.8	9.6	22.5						
BF250FC			5	7.6	25.5						
YF250FC	12-10	2.63-6.64	5	7.6	25.5	6.5	14	14	14	YELLOW 黄	24

MALE DISCONNECTORS 预绝缘片形公插件

绝缘材料: PVC套管(INSULATION MATERIAL: PVC PIPE.)

最大额定电压600V, 工作温度75°C(MAX.ELECTRICAL RATING 600VOLTS75°C)

Tin Plated 镀锡

WITHC TYPE COPPER SLEEVE/带C型的为带防震铜套



TYPE 型号	WIRE RANGE 线规		B	L	T	ΦD	H	COLOR 颜色	MAX.CURRENT 最大电流A
	AWG/MCM	mm ²							
RM110(5)	22-16	0.25-1.65	2.8	18.5	0.5	3.5	9.7	RED 红	10
RM110(8)			2.8	18.5	0.8				
RM187(5)			4.8	19	0.5				
RM187(8)			4.8	19	0.8				
RM250			6.3	20.5	0.8				
BM110(5)	16-14	1.04-2.63	2.8	18.5	0.5	4	9.7	YELLOW 黄	15
BM110(8)			2.8	18.5	0.5				
BM187(5)			4.8	19	0.5				
BM187(8)			4.8	19	0.8				
BM250			6.3	20.5	0.8				
YM110(5)	12-10	2.63-6.64	2.8	22.5	0.5	5.4	13.7	BLUE 蓝	24
YM110(8)			2.8	22.5	0.8				
YM187(5)			4.8	23	0.5				
YM187(8)			4.8	23	0.8				
YM250			6.3	24.5	0.8				

FEMALE DISCONNECTORS 预绝缘片形母接件

绝缘材料: PVC套管(INSULATION MATERIAL: PVC PIPE.)

最大额定电压600V, 工作温度75°C(MAX.ELECTRICAL RATING 600VOLTS75°C)

Tin Plated 镀锡

WITHC TYPE COPPER SLEEVE/带C型的为带防震铜套



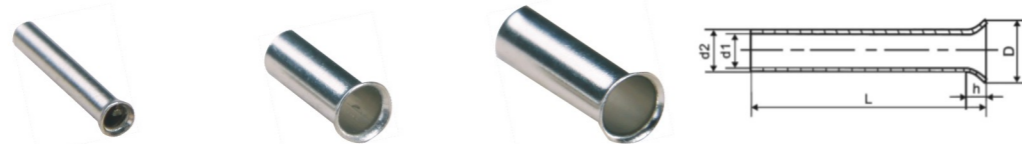
TYPE 型号	WIRE RANGE 线规		B	L	ΦD	H	COLOR 颜色	MAX.CURRENT 最大电流A
	AWG/MCM	mm ²						
RF110(5)	22-16	0.25-1.65	3	18.5	3.5	9.7	RED 红	10
RF110(8)			5	19				
RF187(5)			6.8	20.5				
RF187(8)			3	18.5				
RF250			5	19				
BF110(5)	16-14	1.04-2.63	3	18.5	4	9.7	BLUE 蓝	15
BF110(8)			5	19				
BF187(5)			6.8	20.5				
BF187(8)			3	18.5				
BF250			5	19				
YF110(5)	12-10	2.63-6.64	3	22.5	5.4	13.7	YELLOW 黄	24
YF110(8)			5	23				
YF187(5)			6.8	24.5				
YF187(8)			3	22.5				
Yf250			5	23				

NON INSULATED CORD-END SLEEVES 裸欧式端子 (管形裸端子)

标准: DIN46228/1

MATERIAL材质: E-COPPER电子铜管

TINNED电镀: 镍



TYPE 型号	CONDUCTOR 接线线规(mm ²)	DIMENSIONS尺寸					TYPE 型号	CONDUCTOR 接线线规(mm ²)	DIMENSIONS尺寸				
		L	d1	d2	h	D			L	d1	d2	h	D
LN05006	0.5	6	1.3	1	0.7	2.1	LN100012	12	4.9	4.5	1.2	5.8	
LN05008		8											
LN05010		10											
LN07506	0.75	6	1.5	1.2	0.7	2.3	LN160012	12	6.2	5.8	1.5	7.5	
LN07508		8											
LN07510		10											
LN10006	1	6	1.8	1.5	0.7	2.5	LN250016	16	7.7	7.3	1.5	9	
LN10008		8											
LN10010		10											
LN10012		12											
LN15008	1.5	8	2	1.7	1	2.8	LN350016	16	8.7	8.3	1.5	11.5	
LN15010		10											
LN15012		12											
LN25008	2.5	8	2.6	2.3	1	3.4	LN500018	18	10.9	10.3	1.5	13	
LN25010		10											
LN25012		12											
LN40008	4	8	3.2	2.8	1	4	LN700022	22	14.3	13.5	2	15.3	
LN40010		10											
LN40012		12											
LN40016		16											
LN40018	18	3.9	3.5	1	4.7	LN1200030	30	17.6	16.7	2	18.6		
LN60010	10												
LN60012	12												
LN60015	15	18	1500032	15	20.5	19.5	2	21.5					
Ln60018	18												

NON INSULATED BLADE TERMINALS 片形裸端子

Material材料: Electronic Copper电子铜

Soldered barrel接缝银焊

Tin Plated镀锡



TYPE 型号	WIRE RANGE 线规		ΦD	E	H	T	L	MAX.CURRENT 最大电流A
	AWG/MCM	mm ²						
TNB1.25-9	22-26	0.25-1.65	3.4	4.5	2.8	0.8	13.5	19
TNB1.25-14.5					3		19	
TNB1.25-18					2.45		22.5	
TNB2-9	16-14	1.04-2.63	4	4.8	2.8	0.8	13.8	27
TNB2-16					2.8		20.8	
TNB2-18					2.45		22.8	
TNB5.5-10	12-10	2.63-6.64	5.6	6.8	2.8	1	16.8	48
TNB5.5-18					4.5		24.5	

BULLET FEMALE 子弹形母插件

BASSS/黄铜

Tin Plated镀锡

PVC INSULATON/PVC预绝缘



TYPE 型号	WIRE RANGE 线规		L	E	ΦD	Φd	COLOR 颜色	MAX.CURRENT 最大电流A
	AWG/MCM	mm ²						
F1.25-4B	22-16	0.25-1.65	24.5	13	3.5	3.86	RED 红	10
F1.25-5B			24.5					
F2-4B	22-14	1.04-2.63	25	13	4	3.86	BLUE 蓝	15
F2-5B			25					
F5.5-4B	12-10	2.63-6.64	25.5	14	5.4	3.86	YELLOW 黄	24
F5.5-5B			25.5					

BULLET MALE 子弹形公插件

BASSS/黄铜

Tin Plated镀锡

PVC INSULATON/PVC预绝缘



TYPE 型号	WIRE RANGE 线规		Φd	L	ΦD	I	COLOR 颜色	MAX.CURRENT 最大电流A
	AWG/MCM	mm ²						
F1.25-4A	22-16	0.25-1.65	3.96	20.5	3.5	9.7	RED 红	10
F1.25-5A			4.95					
F2-4A	22-14	1.04-2.63	3.96	20.5	4	9.7	BLUE 蓝	15
F2-5A			4.95					
F5.5-4A	12-10	2.63-6.64	3.96	24.5	5.4	13.7	YELLOW 黄	24
F5.5-5A			4.95					

NON CONNECTING SLEEVES 裸中间连接管

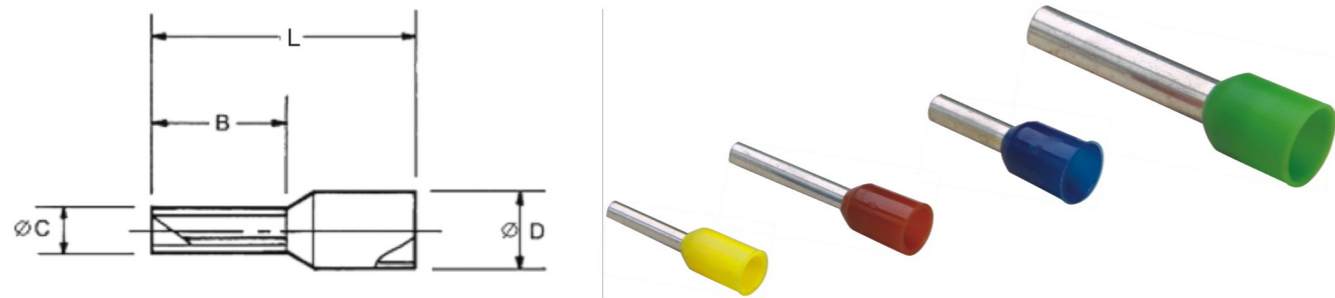
Material材料: E-COPPER TUBE电子铜管

Tin Plated镀锡



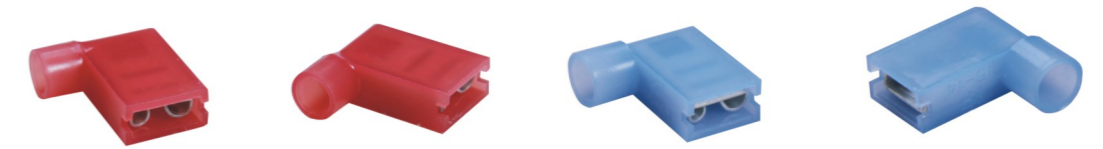
TYPE 型号	ΦD	Φd	L	MAX.CURRENT 最大电流A	TYPE 型号	ΦD	Φd	L	MAX.CURRENT 最大电流A
L1.0	3.3	1.9	20	19	L70	15	12	50	235
L1.5	4	2.2	20	19	L95	17.4	13.5	50	255
L2.5	4.5	2.9	20	27	L120	19.8	15	55	300
L4.0	5.2	3.6	20	37	L150	21.2	16.5	60	395
L6.0	6	4.2	20	48	L185	23.5	18	65	
L10	7	5	20	62	L240	26.5	21.5	80	470
L16	7.8	5.8	40	88	L300	30	23.5	85	650
L20	8	6.5	40		L400	36.5	28	90	650
L25	9.5	7.5	45	115	L500	39	30.5	100	
L35	11.4	8.6	45	160	L550	42	32	100	
L50	12.6	9.6	45	215	L630	45	35.5	110	

CORD-END TERMINALS欧式端子 (管型接插端子)



TYPE 型号	CONDUCTOR 接线线规(mm ²)	DIMENSIONS尺寸				COLOR 颜色	MAX.CURRENT 最大电流A
		L	B	ΦC	ΦD		
CE002506	0.25	10	6	1.05	2.5	LIGHT BLUE 淡蓝	3
CE002508		12	8				
CE003406	0.34	10	6	1.1	2.5	PINK 粉红	5
CE003408		12	8				
CE005006	0.5	12	6	1.3	3.2	ORANGE 橙黄	8
CE005008		14	8				
CE005010		16	10				
CE007506	0.75	12	6	1.5	3.4	WHITE 白	10
CE007508		14	8				
CE007510		16	10				
CE007512		18	12				
CE010006	1	12	6	1.8	3.6	YELLOW 黄	12
CE010008		14	8				
CE010010		16	10				
CE010012	1.5	18	12	2	4.1	RED 红	19
CE015008		14	8				
CE015010		16	10				
CE015012		18	12				
CE015018		24	18				
CE025008		14	8				
CE025010	16	10					
CE025012	18	12					
CE025018	24	18					
CE040010	4	17	10	3.2	5.5	GREY 灰	37
CE040012		20	12				
CE040018		26	18				
CE60012	6	20	12	3.9	7	GREEN 绿	48
CE60018		26	18				
CE100012	10	22	12	4.9	8.4	IVORY 象牙色	62
CE100018		28	18				
CE160012	16	14	12	6.2	9.6	GREEN 绿	88
CE160018		28	18				
CE250016	25	28	16	7.7	12	BROWN 棕	115
CE250018		30	18				
CE250022		35	22				
CE350016		30	16				
CE350018	35	32	18	8.7	13.5	BEIGE 米色	160
CE350025		39	25				
CE500020	50	36	20	10.9	16	OLIVE 黄褐	215
CE500025		40	25				
CE700021	70	37	21	14.3	17.2	YELLOW 黄	235
CE950025	95	44	25	15.5	19.2	RED 红	255
CE1200027	120	48	27	17.6	21.4	BLUE 蓝	300
Ce1500032	150	58	32	20.5	25	YELLOW 黄	350

FLAG CONNECTORS 旗形端子



TYPE 型号	WIRE RANGE 线规 A.W.G/mm ²	W	F	L	dΦ	COLOR 颜色
FLDNY 1.25-250	22~18 / 0.5-1.5	6.6	7.6	16	1.7	RED 红
FLDNY 2-250	16~14 / 2.5	6.6	7.6	16	1.7	BULE 蓝
FLDNY 5.5-250	12~10 / 4-6	6.6	7.6	16	1.7	YELLOW 黄

ALLPLASTIC CONNECTORS 旋转端子



TYPE 型号	TEMP 耐温	TEMP 耐压	AMM	BMM	CMM	DMM	EMM	APPROVAL 认证	COLOR 颜色	RANGE SIZE 线规	PACKAGE 包装
SU1(S1)	100℃	300V	3.2	6.5	8.8	4.4	15.2	UL E84174 CSA LR58960-4	ORANGE 橙	MIN.0.2*0.5 MAX.1*1.5+2*0.75	1000PCS
SU2(M1)	100℃	300V	4.0	7.9	10.1	4.8	18.7		ECRU 米色	MIN.3*0.5 MAX.*1.0	
SU3(L1)	100℃	300V	4.0	8.9	11.2	10.3	23.6		YELLOW 黄	MIN.3*0.5 MAX.2*1.5+2*1.0	
SU6(H6)	105℃	300V	4.0	10.0	14.0	15.0	27.5		RED 红	MIN.1*2.5 MAX.3*4.0	

WIRE NUT WIRE CONNECTORS 弹簧式旋转端子



TYPE 型号	TEMP 耐温	TEMP 耐压	AMM	BMM	CMM	DMM	EMM	APPROVAL 认证	COLOR 颜色	RANGE SIZE 线规	PACKAGE 包装
SP1(Y1)	105℃	300V	3.2	6.8	8.4	5.3	14.2	UL E84174 CSA LR58960-4	GRAY 灰	MIN.2*0.5 MAX.2*10	1000PCS
SP2(Y2)	105℃	300V	3.6	7.8	10.1	5.3	17.8		ORANGE 橙	MIN.3*0.5 MAX.1.0+1*0.75	
SP3(Y3)	105℃	300V	3.6	9.5	11.2	7.9	22.0		ECRU 米色	MIN.1*2.5+1*0.75 MAX.2*2.5-3*1	
SP4(Y4)	105℃	300V	4.4	11.4	14.8	6.8	24.2		YELLOW 黄	MIN.1*2.5+2*1 MAX.3*4.0	
SP5(Y6)	105℃	300V	6.4	13.5	16.8	6.8	32.2		RED 红	MIN.1*2.5+2*1.5 MAX.4*4.0	
SP6(Y8)	105℃	300V	8.3	13.5	18.4	8.8	32.2		GRAY 灰	MIN.2*2.5+2*1.5 MAX.5*4.0	

INSULATED CONNECTING SLEEVES 中间连接管

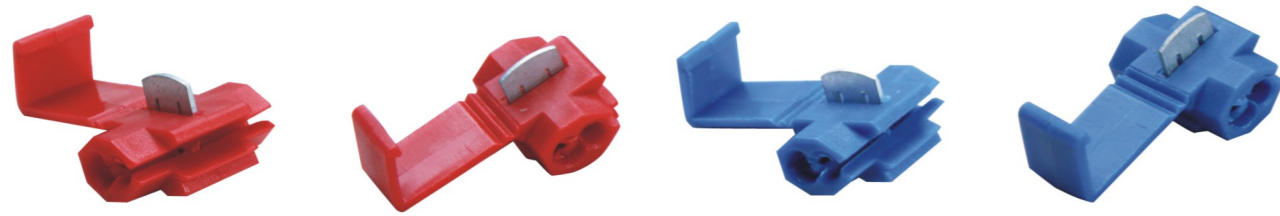


TYPE 型号	WIRE RANGE 线规		L	I	ΦD	Φd	COLOR 颜色	MAX.CURRENT 最大电流A
	AWG/MCM	mm ²						
VB1	22-18	0.5-1.0	26	15	4.3	1.7	RED 红	19
VB2	16-14	1.5-2.5	26	15	4.8	2.4	BULE 蓝	27
VB5.5	12-10	4.0-6.0	27	15	6.6	3.6	YELLOW 黄	48

QUICK CONNECTOR快速连接器

Applied voltage电压: MAX300V

High-temperature Resisting耐温: 105°C



TYPE 型号	WIRE RANGE 线规 mm ² /A.W.G	COLOR颜色	L	B	PACKING包装
3MR	0.35-0.8/22-18	RED 红	20	32	500PCS/BAG
3MB	0.85-2.0/18-14	DARK BLUE 深蓝	20	32	500PCS/BAG
3MY	2.0-4.0/12-10	YELLOW 黄	20	32	250PCS/BAG

INSULATING BUSH端子绝缘软护套



TYPE 型号	ΦD1	ΦD2	TYPE 型号	ΦD1	ΦD2	TYPE 型号	ΦD1	ΦD2	TYPE 型号	ΦD1	ΦD2	TYPE 型号	ΦD1	ΦD2
V1.25	3.3	3.1	V8	7.2	6.2	V60	16.8	13.5	V150	24.1	22.0	V400	44.0	37.0
V2	4.5	3.7	V14	10.0	8.0	V80	19.0	16.0	V200	32.0	24.0	V500	45.0	40.0
V3.5	5.7	4.1	V22	12.0	9.5	V100	22.0	18.0	V250	38.0	26.5	V630	52.0	45.0
V5.5	5.7	5.2	V38	14.0	11.8	V125	24.0	20.0	V325	38.0	29.0			

EUROPEAN-STYLE TWO - 欧式双线



TYPE 型号	D1	L	T	W	TYPE 型号	D1	L	T	W
CT210010	2.05	17	0.15	1	CT210014	6.4	26.5	0.2	1
CT215008	2.3	16	0.15	1	CT216014	8.3	31.5	0.2	1
CT215012	2.3	20	0.15	1	CT205008	1.5	15	0.15	1
CT225010	2.8	18.5	0.2	1	CT207508	1.8	15	0.15	1
CT225013	2.8	21.5	0.2	1	CT207510	1.8	17	0.15	1
CT240012	3.7	23	0.2	1	CT210008	2.5	15	0.15	1
CT260014	4.8	26	0.2	1					

CABLE TIES束线带

Material材料、等级: Nylon66 (尼龙66) UL94V-2orUL94V-0

Operating temperature 工作温度: -40°C to 85°C



TYPE 型号	WIDTH 宽度mm	LENGTH 长度mm	MAX. BUNDLEDIA 最大捆扎直径mm	MIN. LOOP TENSILE STRENGTH 最小环形张力kg	PACKING 支/袋	NTOE备注
GT-80M	2.4	80.0	15.0	8.0	1000	普通型束线带
GT-90M		90.0	16.0			
GT-100M		100.0	18.0			
GT-120M		120.0	30.0			
GT-140M	2.5	140.0	33.0	8.1		
GT-160M		160.0	40.0			
GT-200M		200.0	50.0			
GT-120I		121.0	25.0			
GT-140I	3.6	140.0	33.0	18.2		
GT-150I		150.0	35.0			
GT-180I		180.0	44.0			
GT-200I		200.0	50.0			
GT-250I	4.8	250.0	65.0	22.2		
GT-300I		295.0	76.0			
GT-370I		370.0	102.0			
GT-120ST		120.0	24.0			
GT-160ST		160.0	38.0			
GT-190ST		180.0	43.0			
GT-200ST		200.0	50.0			
GT-250ST		250.0	60.0			
GT-280ST		300.0	73.0			
GT-300ST		370.0	76.0			
GT-370ST	390.0	102.0				
GT-390ST	430.0	105.0				
GT-430ST	450.0	110.0				
GT-450ST	450.0	116.0				
GT-530ST	530.0	140.0				
GT-150HD	7.6	150.0	33.0	54.4		
GT-200HD		200.0	50.0			
GT-300HD		292.0	76.0			
GT-370HD		368.0	102.0			
GT-430HD	9.0	430.0	110.0	79.4		
GT-530HD		533.0	140.0			
GT-710HD		710.0	190.0			
GT-780HD		775.0	228.0			
GT-1020HD	1020.0	239.0				
GT-230EHD	13.0	230.0	50.0	114.0		
GT-480EHD		480.0	120.0			
GT-580EHD		580.0	152.0			
GT-730EHD		730.0	204.0			
GT-880EHD		880.0	248.0			
GT-1030EHD		1030.0	295.0			
GTK-110M	2.5	110.0	18.0	8.1		
GTK-210M		210.0	50.0			
GTK-100M		100.0	50.0			
GTK-200M		200.0	18.0			
GTK-190ST	4.8	192.0	45.0	22.2		
GTK-270ST		270.0	68.0			
GTK-340ST		340.0	92.0			
GTK2-220ST		222.0	54.0			
GTK3-200ST		222.0	54.0			

加强型束线带

标示型束线带

CLOSE-END CONNECTORS 闭端端子、终端绝缘帽

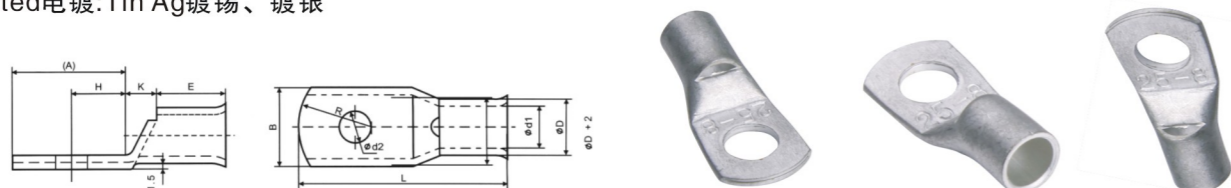


TYPE 型号	COLOR 颜色	WIRE RANGE 线规 mm ² /A.W.G	L	E	Dφ	dφ
CE1	Transpatent 透明	0.25-165/22-16	20.1	6.0	6.4	2.4
CE2		1.04-2.63/16-24	20.8	7.0	8.2	3.0
CE5		2.63-6.64/12-14	24.5	9.0	10.6	3.8
Ce8		6.64-10.52/8	26.5	10.5	12.4	5.0

COPPER TUBE TERMINALS 出口型电缆铜管端子

Soft Drawn Pute & Oxygen-free Copper Tube 无氧挤压铜管

Plated 电镀: Tin Ag 镀锡、镀银

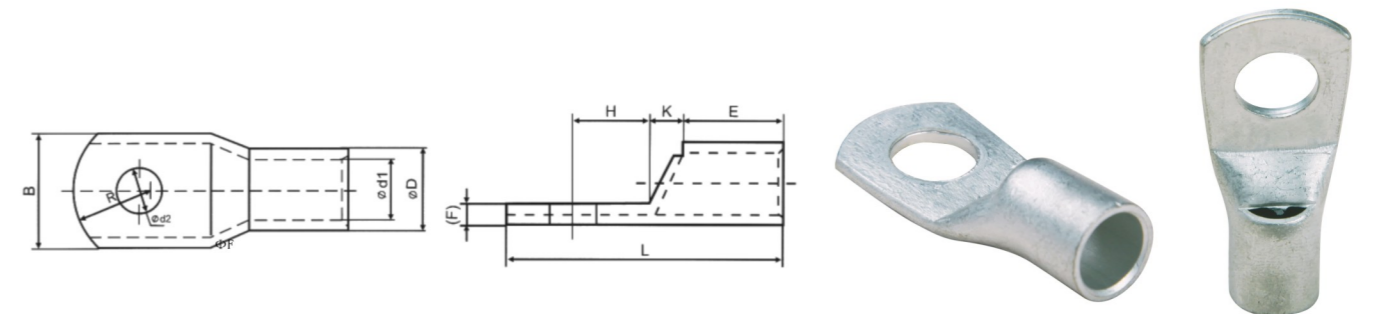


TYPE 型号	φD	φd1	E	H	K	B	φd2	(A)	L	R
CT6-6	6.0	4.2	11.0	7.5	3.0	11.0	6.4	14.0	28	7
CT6-8							8.4		28	
CT10-6	7.0	5.0	11.0	8.0	3.5	12.0	6.4	15.0	31.5	7
CT10-8							8.4		31.5	
CT16-6	7.8	5.8	14.0	8.0	4.0	12.0	6.4	18.0	38	7
CT16-8							8.4		38	
CT25-8	9.5	7.5	14.0	9.0	4.5	15.0	8.4	18.0	43	10
CT25-10				10.5			43			
CT35-8	11.4	8.6	17.0	9.0	5.0	15.5	8.4	18.5	43.5	10
CT35-10				10.5			45			
CT50-8	12.6	9.6	18.0	11.0	6.0	16.0	8.4	20.0	47.5	14
CT50-10				10.5			48.5			
CT70-8	15.0	12.0	20.0	13.0	7.0	21.0	8.4	20.0	53	14
CT70-10				10.5			53			
CT95-8	17.4	13.5	22.0	13.0	9.0	24.0	8.4	23.0	60	16
CT95-10				10.5			60			
CT120-8	19.8	15.0	24.0	14.0	10.0	27.6	8.4	25.0	64	16
CT120-10				10.5			64			
CT120-12	19.8	15.0	24.0	14.0	10.0	27.6	13	25.0	64	16
CT150-10				10.5			69			
CT150-12	21.2	16.5	28.0	16.0	11.0	30.0	13	25.0	69	24
CT240-12				13			96			
CT300-16	30.0	23.5	44.0	22.0	15.0	42.0	17	39.0	101	32
CT300-20				21			101			
CT400-16	36.5	28.5	46.0	26.0	18.0	51.0	17	49.0	115	32
CT400-20				21			115			
CT500-16	39.0	30.5	50.0	28.0	20.0	55.0	17	53.0	125	40
CT500-20				21			125			
CT630-20	45.0	35.5	58.0	33.0	22.0	64.0	21	63.0	145	40

COPPER TUBE TERMINALS GT 电缆用铜管端子GT

Material 材料: E-COPPER TUBE 电子铜管

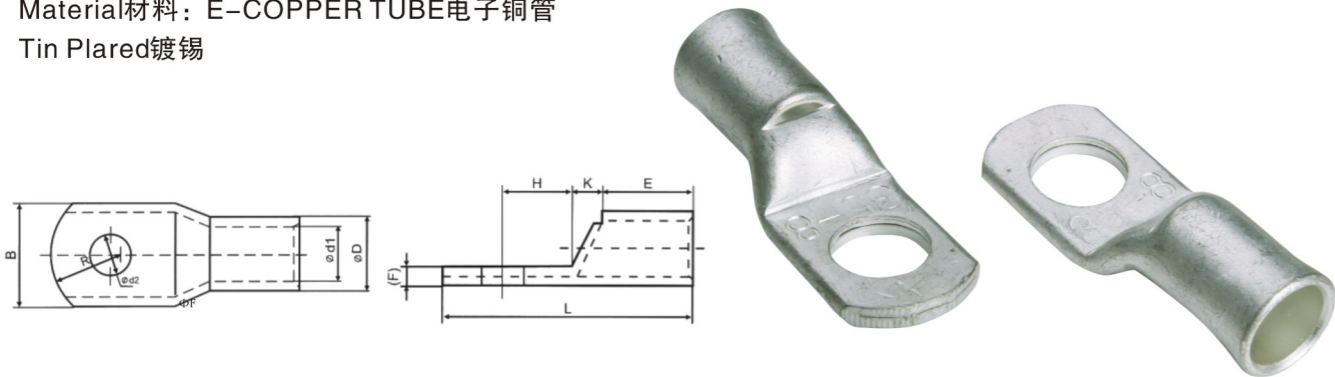
Tin Plated 镀锡



TYPE 型号	φd	φd1	E	H	K	B	φd2	F	L	R
GT1.5-5	4.0	2.2	5.0	5.0	2.0	8.0	5.2	1.0	16.0	5
GT2.5-4	4.5	2.9	7.0	5.0	2.0	8.0	4.2	1.0	18.0	7
GT2.5-5				6.0			5.2		20.0	
GT2.5-6	5.2	3.6	7.0	6.0	2.0	10.0	6.4	1.0	20.0	7
GT4-5						10.0	5.2		23.0	
GT4-6	6.0	4.2	9.0	6.0	3.0	10.0	6.4	1.2	26.0	7
GT6-5				7.5			8.4		26.0	
GT6-6	7.0	5.0	9.0	8.0	3.5	12.4	6.4	1.3	26.5	10
GT6-8							8.4		27.5	
GT10-6	7.8	5.8	12.0	8.0	4.0	12.4	6.4	1.3	31.0	10
GT16-6							8.4		31.0	
GT16-8	9.5	7.5	14.0	8.0	4.5	14.0	6.4	2.0	32.0	14
GT25-6				9.0			8.4		34.0	
GT25-8	11.4	8.6	15.0	9.0	5.0	15.5	8.4	1.6	34.0	10
GT25-10				10.5			17.5		10.5	
GT35-6	12.6	9.6	16.0	9.0	6.0	18.0	6.4	2.8	38.0	10
GT35-8				10.5			40.5			
GT35-10	15.0	12.0	18.0	10.5	7.0	21.0	8.4	2.8	50.0	14
GT70-8				13.0			50.0			
GT70-10	17.4	13.5	20.0	13.0	9.0	25.0	10.5	3.9	55.5	14
GT95-10				13.0			55.5			
GT120-12	19.8	15.0	22.0	14.0	10.0	28.0	13.0	4.7	60.0	16
GT120-16				16.0			64.0			
GT150-12	21.2	16.5	26.0	16.0	11.0	30.0	13.0	4.7	69.0	24
GT150-16				17.0			69.0			
GT185-16	23.5	18.0	32.0	17.0	12.0	34.0	17.0	5.0	78.0	24
GT240-16				21.0			92.0			
GT240-20	30.0	23.5	42.0	22.0	15.0	43.0	17.0	6.5	101.0	32
GT300-16				21.0			101.0			
GT300-20	36.5	28.5	44.0	26.0	18.0	51.3	17.0	16.0	114.0	32
GT400-16				21.0			114.0			
GT400-20	39.0	30.5	48.0	28.0	20.0	56.0	17.0	9.0	124.0	40
GT500-16				21.0			124.0			
GT500-20	45.0	35.5	56.0	33.0	22.0	65.0	21.0	10.0	144.0	40
GT630-20				21.0			144.0			

SG

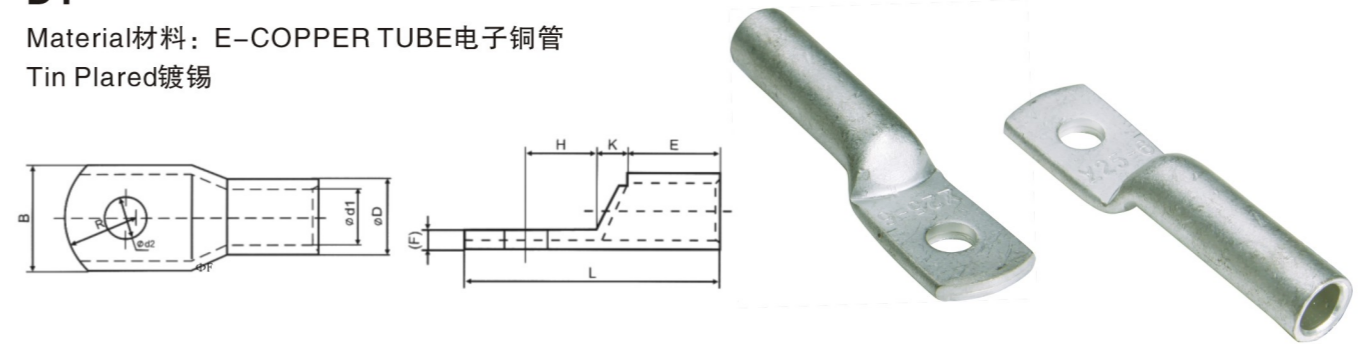
Material材料: E-COPPER TUBE电子铜管
Tin Plated镀锡



TYPE 型号	ϕd	ϕd1	E	H	K	B	ϕd2	F	L	R
SG6-5	5.8	4.2	9.0	6.0	3.0	10.0	5.2	0.8	23.0	7
SG6-6				6.4			26.0			
SG6-8				7.5			8.4		26.0	
SG10-6	6.7	5.0	9.0	8.0	3.5	12.4	6.4	0.85	26.5	7
SG10-8				8.4			27.5			
SG16-6				8.0			6.4		31.0	
SG16-8	7.3	5.6	12.0	8.0	4.0	12.4	8.4	0.85	31.0	7
SG25-6				8.0			6.4		32.0	
SG25-8				9.0			8.4		34.0	
SG25-10	9.0	7.3	12.0	10.5	4.5	17.5	10.5	1.1	37.0	10
SG35-6				6.4			6.4		38.0	
SG35-8				9.0			8.4		40.5	
SG35-10	10.8	8.6	15.0	10.5	5.0	17.5	10.5	1.2	43.5	10
SG50-8				8.4			8.4		43.5	
SG50-10				11.0			10.5		43.5	
SG70-8	14.5	12.0	18.0	13.0	7.0	21.0	8.4	1.25	50.0	14
SG70-10				10.5			10.5		50.0	
SG70-12				13.0			13.0		50.0	
SG95-8	17.0	13.8	20.0	13.0	9.0	25.0	8.4	1.6	55.0	14
SG95-10				10.5			10.5		55.0	
SG95-12				13.0			13.0		55.0	
SG120-8	19.4	15.5	22.0	14.0	10.0	28.0	8.4	1.95	60.0	16
SG120-10				10.5			10.5		60.0	
SG120-12				13.0			13.0		64.0	
SG120-14				15.0			15.0		64.0	
SG120-16				17.0			17.0		64.0	
SG150-10	21.0	17.0	26.0	16.0	11.0	30.0	10.5	2	69.0	24
SG150-12				13.0			13.0		69.0	
SG150-16				17.0			17.0		69.0	
SG185-16	23.0	18.8	32.0	17.0	12.0	34.0	17.0	2.1	78.0	24
SG240-14	25.8	21.5	38.0	20.0	14.0	38.0	15.0	2.15	92.0	32
SG240-16				17.0			17.0		92.0	
SG240-20				21.0			21.0		92.0	
SG300-16	29.0	24.0	42.0	22.0	15.0	43.0	17.0	2.5	101.0	32
SG300-20				21.0			21.0		101.0	
SG400-20				34.0			27.5		44.0	
SG500-16	38.0	30.5	48.0	28.0	20.0	56.0	17.0	3.75	124.0	40
SG500-20				21.0			21.0		124.0	
SG630-16				43.5			35.5		56.0	

DT

Material材料: E-COPPER TUBE电子铜管
Tin Plated镀锡



TYPE 型号	ϕd	ϕd1	E	H	N	B	ϕd2	F	L	R
DT1.5-5	4	2.2	10	5	5	8	5.3	1	23	5
DT2.5-4	4.5	2.9	13	5	5	8	4.3		27	
DT2.5-5				6		5.3				
DT2.5-6	5.2	3.6	13	6	6	10	6.4	0.85	28	7
DT4-5				6		5.3				
DT4-6				6.4		6.4				
DT6-5	6	4.2	17	6	7	10	5.3	1.1	35	7
DT6-6				7.5		6.4				
DT6-8				8.4		8.4				
DT10-6	7	5	17	8	7.5	12.4	6.4	1.25	36	10
DT10-8				8.4		8.4				
DT16-6				8		6.4	58			
DT16-8	7.8	5.8	32	8	9	14	8.4	1.6	58	10
DT25-6				6.4		6.4	58			
DT25-8				9.0		8.4	58			
DT25-10	9.5	7.5	32	10.5	10	17.5	10.5	1.95	62	10
DT35-6				6.4		6.4	62			
DT35-8				8.4		8.4	62			
DT35-10	11.4	8.6	36	10.5	10	18	10.5	2.1	72	14
DT50-8				8.4		8.4	72			
DT50-10				10.5		10.5	72			
DT70-8	12.6	9.6	40	11	12	19	8.4	2.15	76	14
DT70-10				10.5		10.5	76			
DT70-12				13		13	76			
DT95-10	15	12	42	13	12	23	10.5	2.15	84	14
DT95-12				13		13	84			
DT120-12				14		14	90			
DT120-16	17.4	13.5	44	13	15	27	10.5	2.5	90	16
DT95-12				13		13	84			
DT120-12				14		14	90			
DT150-12	19.8	15	46	16	15	30	13	3.25	98	24
DT150-16				17		17	98			
DT185-12				13		13	101			
DT185-16	23.5	18	52	17	16	36	13	3.75	101	24
DT240-12				13		13	101			
DT240-16				17		17	112			
DT240-20	26.5	21.5	56	20	20	40	21	4	112	32
DT300-16				17		17	116			
DT300-20				21		21	120			
DT400-16	30	23	58	22	18	45	17	4	130	32
DT400-20				26		26	135			
DT500-16				23		23	141			
DT500-20	36.5	28.5	66	26	26	51.3	21	4	146	40
DT630-20				33		33	168			
DT500-20				28		28	146			
DT630-20	45	35.5	80	33	33	65	21	4	168	40